



# DOSAPLUS**33**

TECHNICAL  
DATA SHEET

# DOSAPLUS 33

**New proportional dosing system VERSATILE AND COMPACT**  
 equipped with a special suction device based on the **Venturi effect**:  
 designed to allow maximum adaptability during installation,  
 designed to make maintenance as easy as possible!



MAX WORKING PRESSURE  
**8 bar (116 psi)**



**COLD WATER**



MAX WORKING TEMPERATURE  
**45°C (113°F)**  
 MIN WORKING TEMPERATURE  
**4°C (39,2°F)**



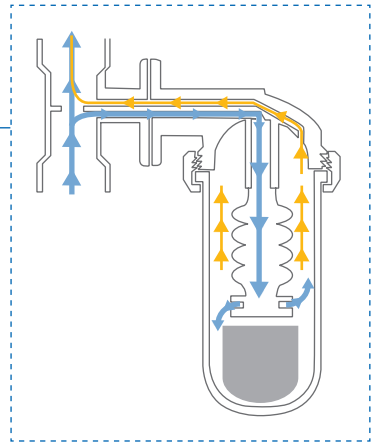
MAX TOTAL HARDNESS  
**35°F (350 ppm CaCO<sub>3</sub>)**

## BENEFITS:

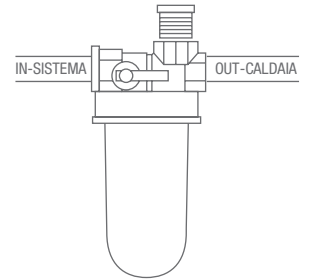
- Protects the boiler from scale and incrustation
- Ensures polyphosphate dosage is proportional to water consumption.
- It is suitable for use for drinking water

## MAIN FEATURES:

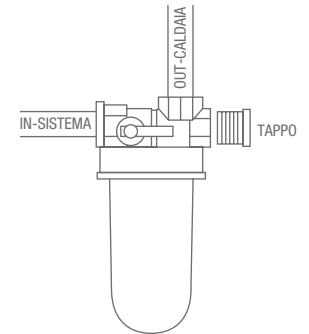
- Special three-ports head that allows both in-line and 90° installation thanks to the included plug that closes the unused connection.
- Equipped with inlet tap (shut-off valve) that blocks the flow of incoming water, thus simplifying maintenance operations.
- Possibility to transform female connections into male connections thanks to nipples (not included)
- Possibility to transform female connections into swivel connections thanks to swivel nuts (not supplied)



## IN-LINE CONFIGURATION



## 90° (SQUARE) CONFIGURATION



## POINT OF USE

For domestic boilers with a maximum output of 35 KW

## TECHNICAL SPECIFICATIONS:

Selected raw materials suitable for drinking water.

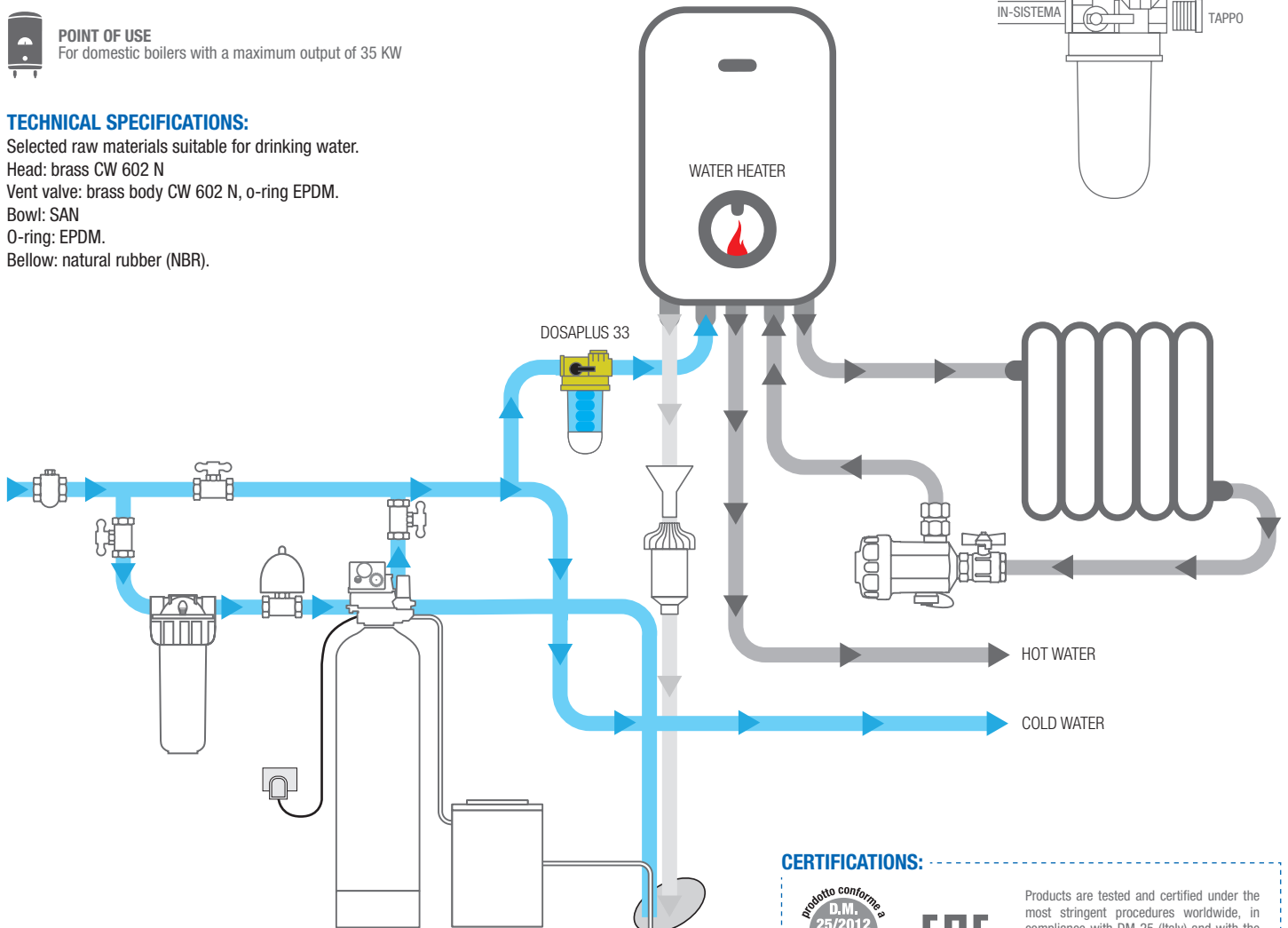
Head: brass CW 602 N

Vent valve: brass body CW 602 N, o-ring EPDM.

Bowl: SAN

O-ring: EPDM.

Bellow: natural rubber (NBR).



## CERTIFICATIONS:



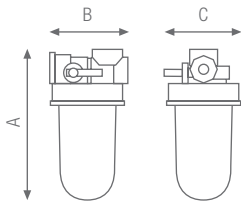
Products are tested and certified under the most stringent procedures worldwide, in compliance with DM 25 (Italy) and with the sanitary certification EAC/Ghostreghistracia (Russia).



SHUT-OFF VALVE



VENT VALVE



**NEW** DOSAPLUS 33  
COMPACT DOSING SYSTEM WITH 3-PORTS BRASS HEAD

PART NUMBER	MODEL	REFILL	DIMENSIONS mm		
			A	B	C
RE4050216	DOSAPLUS 33	POLIPHOS A 1/2"	145	68	60

**REFILL INCLUDED:**



2 Poliphos A charges for DOSAPLUS

**ACCESSORY INCLUDED:**



-Y- spanner

**REFILL AVAILABLE:**



Poliphos A pack of 12 refills  
CODE RE5000057



Poliphos A skinpack of 2 refills  
CODE RE5000055

**ACCESSORIES AVAILABLE:**

CODE RE9020660 LUBRIKIT+ - single dose lubricant for o-ring  
CODE RE6032703 SWIVEL FITTING KIT 1/2"  
CODE RE6032704 NIPPLE KIT 1/2"



DOSAPLUS**33**

 **ATLAS FILTRI**<sup>®</sup>  
improving water

[www.atlasfiltri.com](http://www.atlasfiltri.com)